

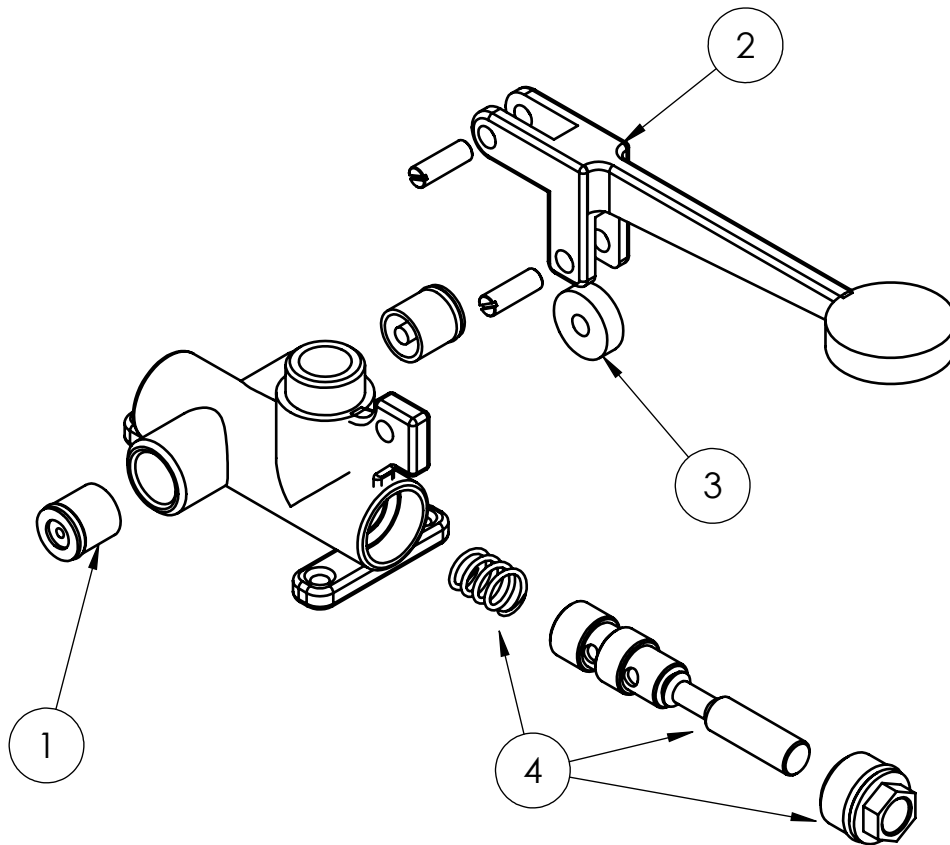
Floor or wall treadle mixer. Convenient Single Cartridge. The water temperature is regulated according to the treadle pressure. Immediate opening/closing flow. Supplied with fixing screws+plastic plugs

TITLE / DESCRIZIONE

Floor and Wall-mount pedal control mixing valve with G1/2" male inlets and G1/2" male outlet. With inlets check valves

DRN / DIS	CHD / VER	APPR
SCALE / SCALA 1:2	DATE / DATA 19/01/2021	SHEET / PAG 1 of 2
NUMBER / CODICE DIS.	MODEL / PRODOTTO 6S.6028.00.00	

ITEM NO.	SALES NO.	DESCRIPTION
1	P030	BACKFLOW PREVENTER DW15/DN10
2	P502	TREADLE W.MOUNTING SCREWS
3	P503	TREADLE ROLLER
4	P504	PUSH BOTTON W.CURSOR, O-RING AND SPRING



TITLE / DESCRIZIONE	DRN / DIS	CHD / VER	APPR
Floor and Wall-mount pedal control mixing valve with G1/2" male inlets and G1/2" male outlet. With inlets check valves	SCALE / SCALA	DATE / DATA	SHEET / PAG
	1:2	19/01/2021	2 of 2
<small>This drawing contains proprietary information which is the property of KLARCO S.R.L. without whose written permission it may not be copied, shown or handed to a third party or otherwise used</small>	<small>Questo disegno contiene informazioni di proprietà di KLARCO S.R.L. e senza la sua autorizzazione scritta non può essere copiato, mostrato o ceduto a terzi o in qualsiasi altro modo usato</small>	NUMBER / CODICE DIS.	MODEL / PRODOTTO
			6S.6028.00.00