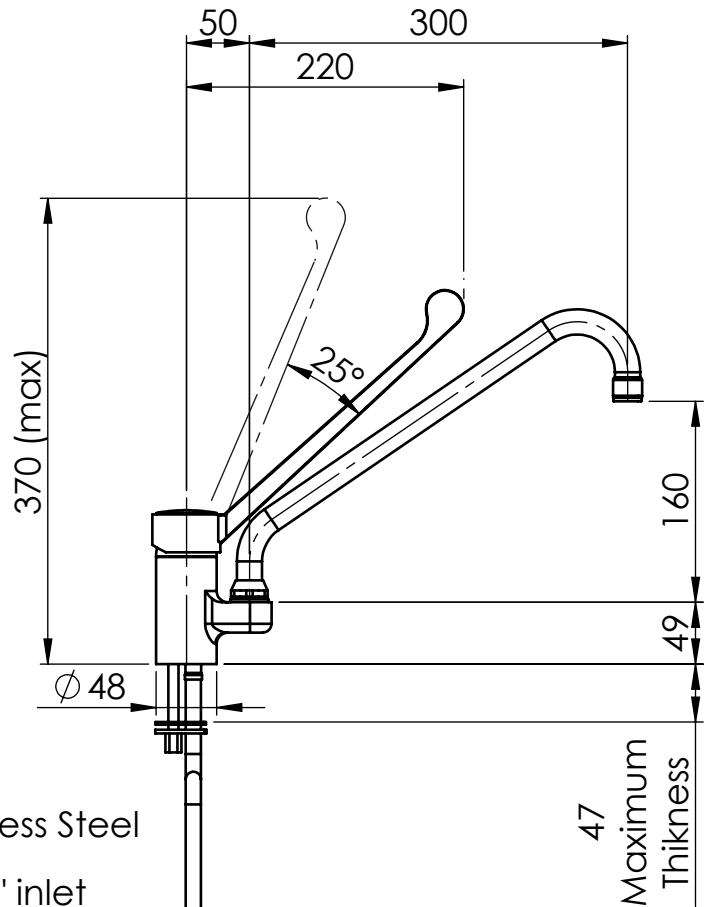
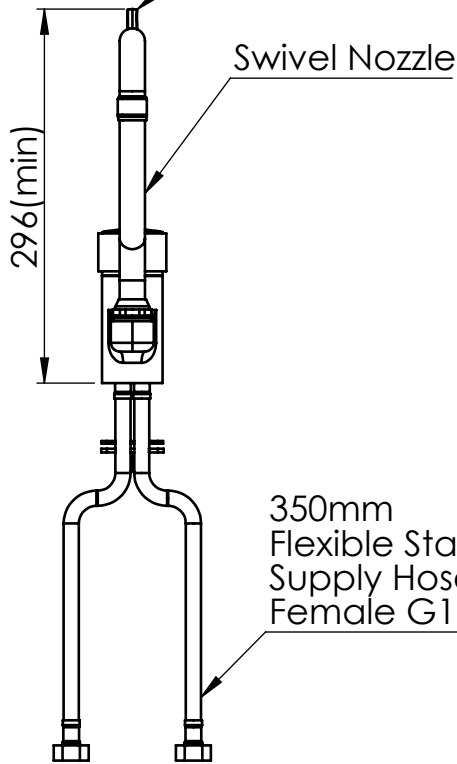
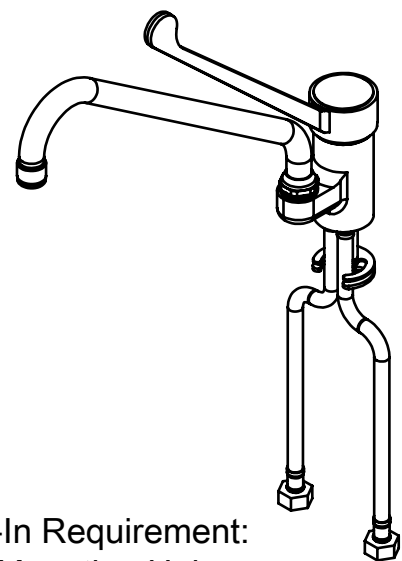
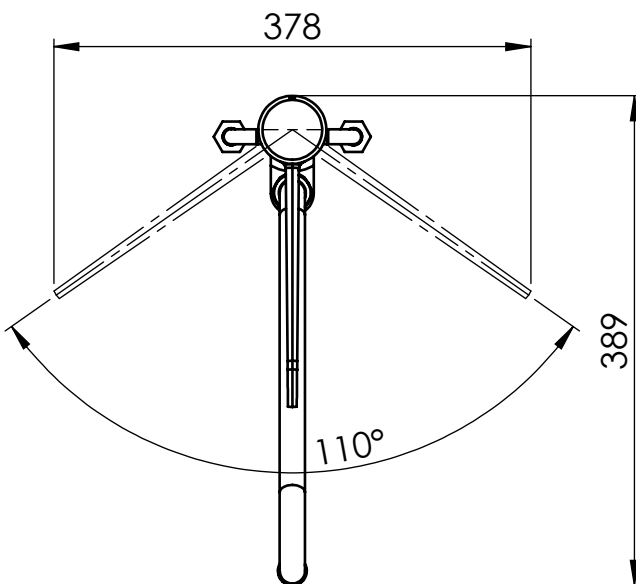


Elbow-Operated Lever



Lever opening angle:
0-25°



Rough-In Requirement:
35mm Mounting Hole

TITLE / DESCRIZIONE

Single hole, deck-mount with 220mm long Sanitary Lever mixing faucet with 300mm swivel nozzle (Ø20mm), G1/2" female inlets, ceramic cartridge, brass, chrome plated, Sanitary Lever – fiber glass reinforced Polyamide.

DRN / DIS

CHD / VER

APPR

SCALE /
SCALA

1:6

DATE /
DATA

05/06/2020

SHEET /
PAG

1 of 2

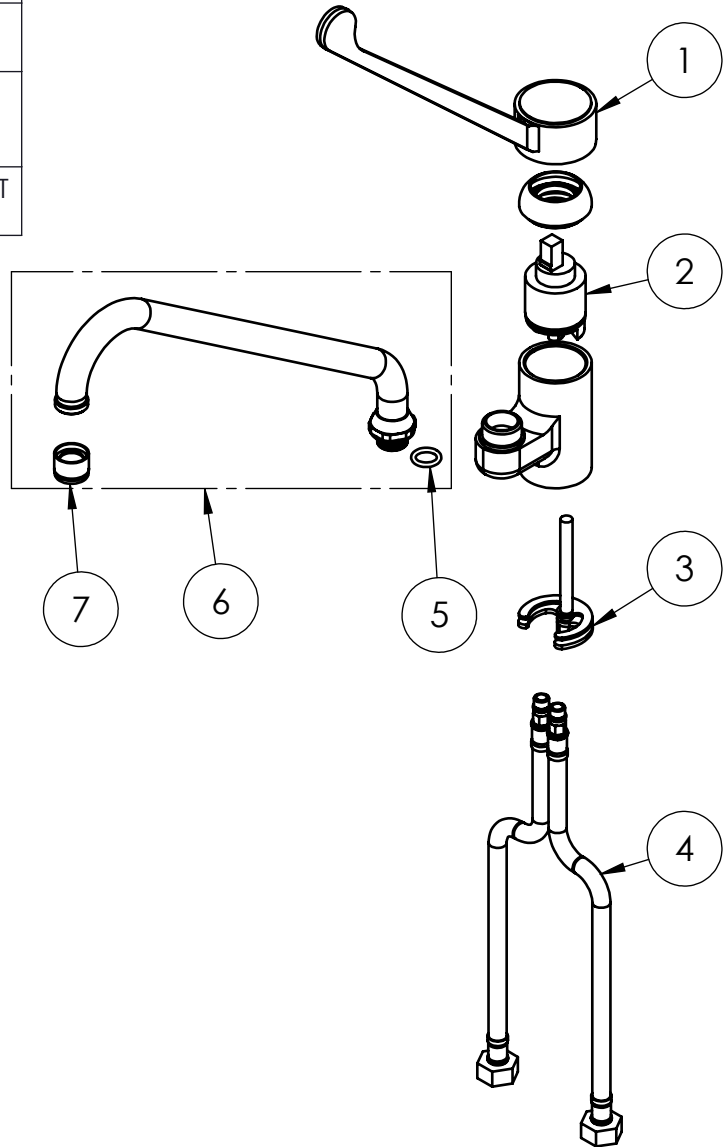
NUMBER / CODICE DIS.

MODEL / PRODOTTO

1S.2960.59.92

A4V

| ITEM NO. | SALES NO. | DESCRIPTION |
|----------|-----------|--|
| 1 | H002 | ELBOW OPERATED GRAY LEVER (L.220mm) |
| 2 | V090 | CARTRIDGE Ø40mm W.DISTR. |
| 3 | P348 | FIXING KIT 2960 |
| 4 | F011 | L.35cm Flex S.S. Hose Ø12-DN8 Female G1/2" (C) |
| 5 | P103 | O-RING 14X3 |
| 6 | C059 | SWING NOZZLE Ø20x 300 h.160 |
| 7 | P015 | STREAM REGULATOR OUTLET (Ø20 SPOUT) |



| TITLE / DESCRIZIONE | DRN / DIS | CHD / VER | APPR |
|---|--|---|--------------------|
| Single hole, deck-mount with 220mm long Sanitary Lever mixing faucet with 300mm swivel nozzle (Ø20mm), G1/2" female inlets, ceramic cartridge, brass, chrome plated, Sanitary Lever – fiber glass reinforced Polyamide. | SCALE / SCALA 1:5 | DATE / DATA 05/06/2020 | SHEET / PAG 2 of 2 |
| This drawing contains proprietary information which is the property of KLARCO S.R.L. without whose written permission it may not be copied, shown or handed to a third party or otherwise used | Questo disegno contiene informazioni di proprietà di KLARCO S.R.L. e senza la sua autorizzazione scritta non può essere copiato, mostrato o ceduto a terzi o in qualsiasi altro modo usato | NUMBER / CODICE DIS. MODEL / PRODOTTO 1S.2960.59.92 | A4V |